
7694 Vertical Loader Subassemblies

	Description	HP Part No.	Qty
1	Horizontal Loader	301-200-HSP	1
	Rebuilt horizontal loader	301-198-HSP	
2	Frame, vertical mover	301-131-HSP	1
3	Rod, vertical carriage	301-063-HSP	1
4	Lever, vertical mover	301-132-HSP	1
5	Cover, vertical carriage	301-146-HSP	1
6	Rod, connecting	301-012-HSP	1
7	Servomotor	425-024-HSP	1
8	Rod, connecting	301-217-HSP	1
9	Fork	301-004-HSP	1
10	Wiring, microswitch fork assy	500-115-HSP	1
Associated Nuts, Screws, and Washers			
A	Screw, M2.2 X 6.5 flat head	300-791-HSP	5
B	Screw, M2 X 10 pan head	0515-0615	2
C	Screw, M3 X 10 pan head	0515-0925	4
D	Screw, M2 X 20 pan head	0515-0973	2
E	Nut, M20535-0018	1	
F	Washer, flat D2	3050-0982	4
G	Screw, M3 X 6 socket head cap	300-825-HSP	2
H	Screw, M3 X 16 pan head	0515-0920	2
I	Screw, M3 X 10 flat head	0515-1005	2
J	Circlip, D5	300-900-HSP	4
K	Screw, M3 thumb screw	301-203 HSP	2
L	Nut, M30535-0004	4	
M	Washer, toothed M3	2190-0638	4
N	Washer, flat M3	3050-0891	4

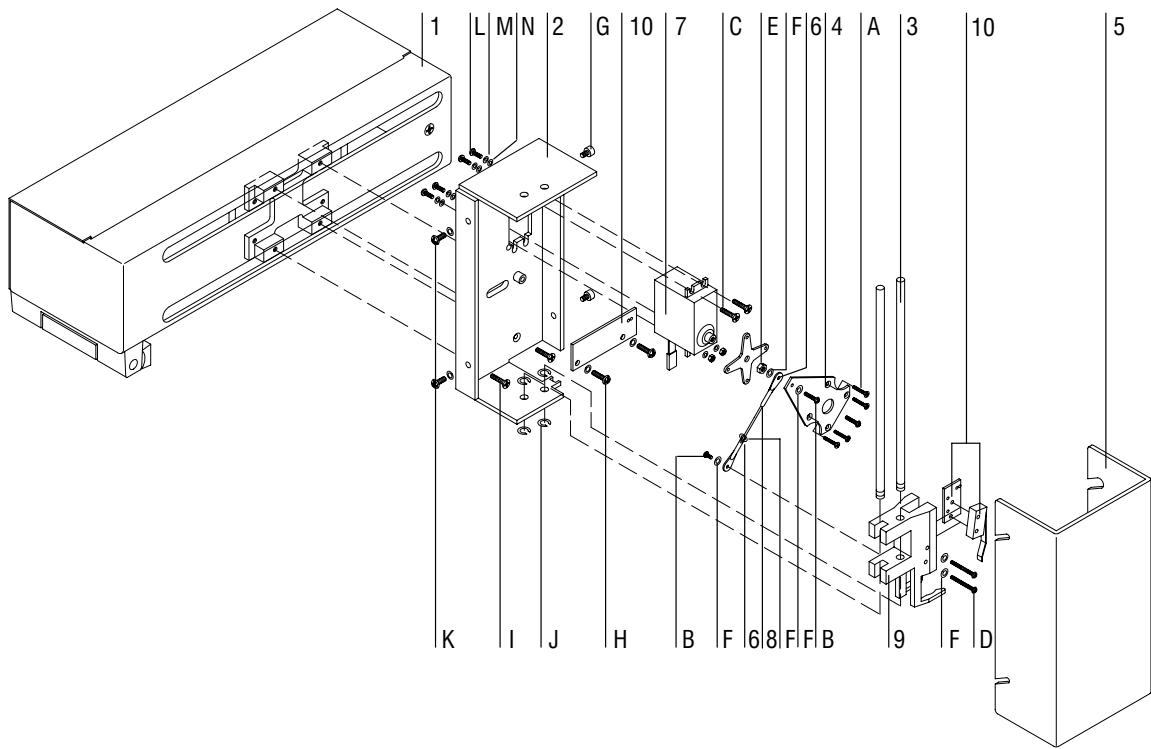


Figure 2-2. Vertical Loader Subassemblies